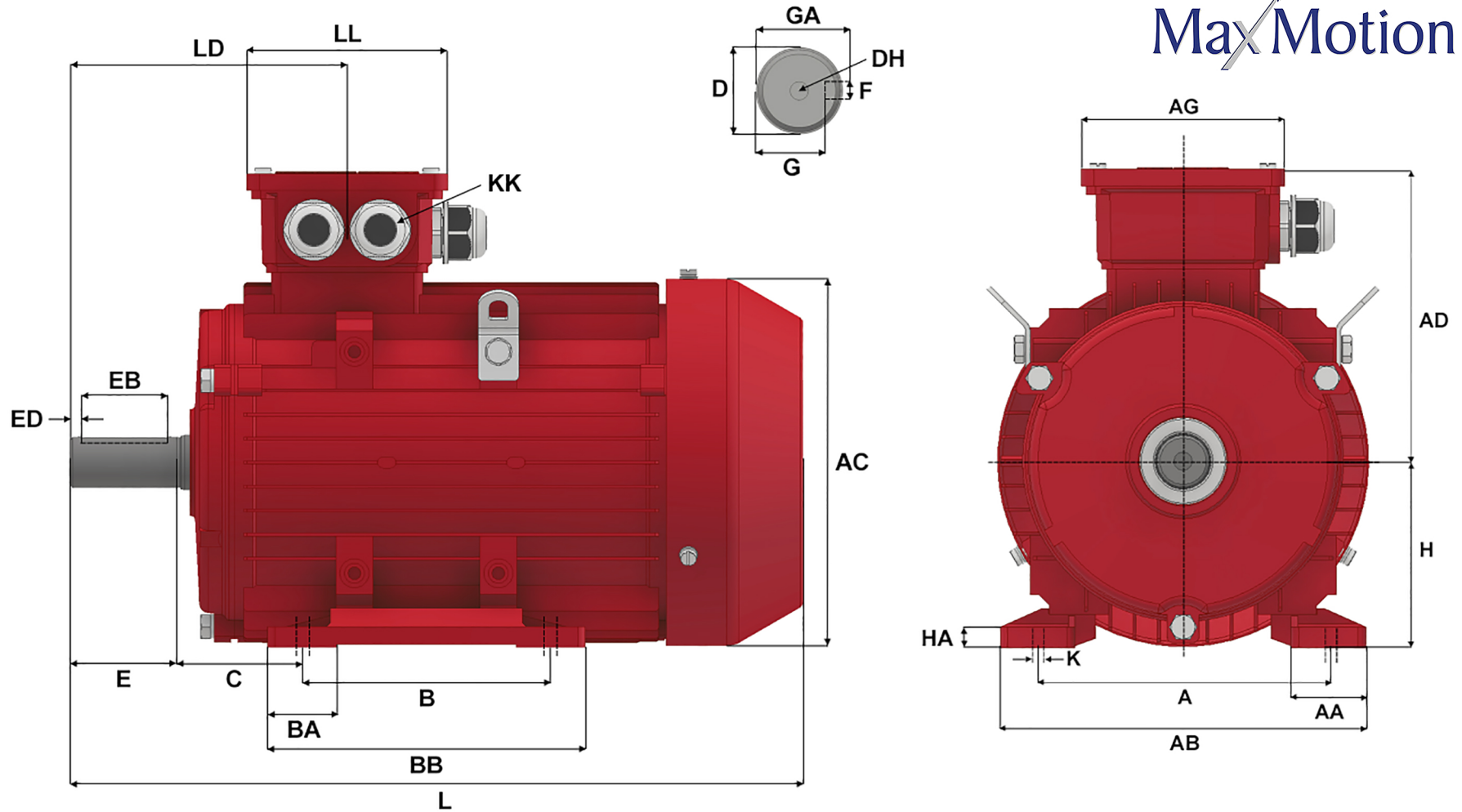


MaxMotion



Version: 1JLEM				Revised: 09-11-2019				HP	RPM	FRAME	ENCLOSURE	IJA132S1-2-B3					
Customer is responsible in determining that Max Motion product will fit/perform suitably in the intended application											7.5	3515	132S	TEFC			
A	B	C	D	E	F	G	H	K	L	AA	AB	AC					
216	140	89	38	80	10	33	132	12 X 16	445	51	262	258					
AD	AG	BA	BB	DH	EB	ED	GA	HA	KK (1)	KK (2)	KK (3)	LD					
188	117.5	46	186	M12 X 28	65	7.5	41	15	M32 X 1.5	3/4" NPT	M16 X 1.5	180					
LL																	
117.5																	